



12 MONTH Planning Calendar

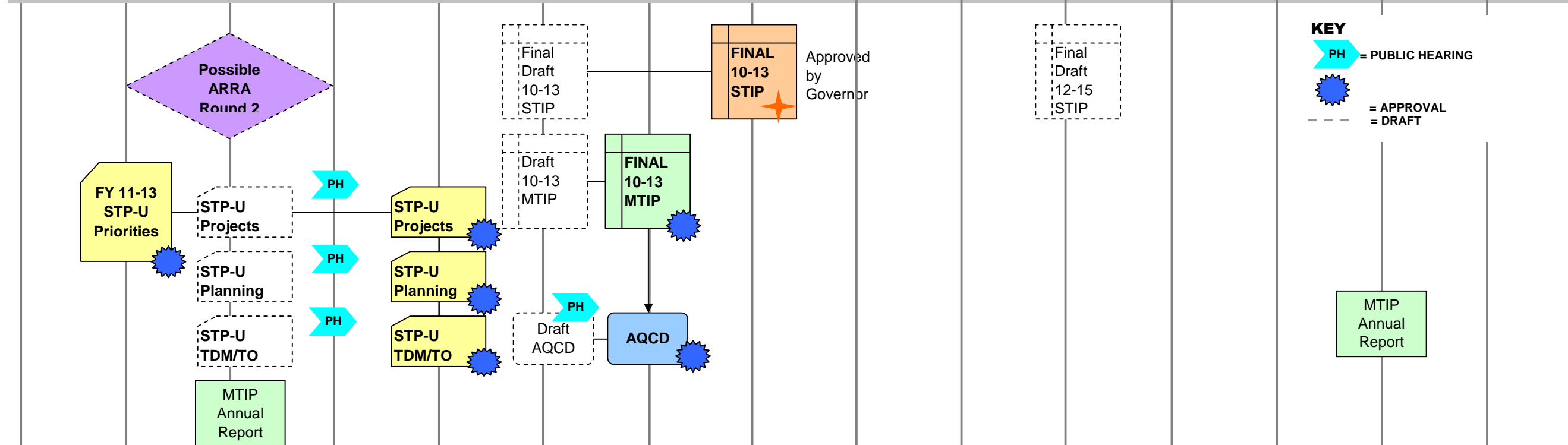
For general planning purposes only. Subject to change due to revised federal or state timelines, funding implications and/or public participation.

2010

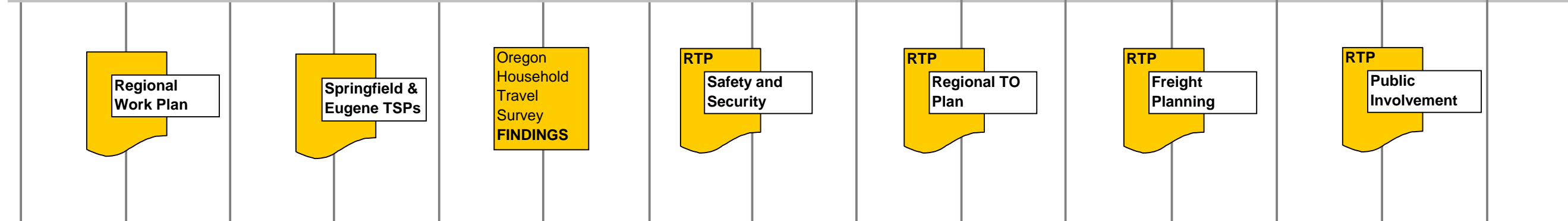
2011

JAN FEB MAR APR MAY JUN JUL AUG SEP OCT NOV DEC JAN FEB

Transportation Improvement Plans (TIP) and STP-U Funding



Long Range Planning and Regional Transportation Plan (RTP)



Other MPO Programs: Unified Planning Work Program, Public Participation Plan

